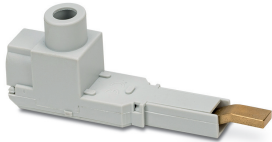


Terminal adapter - TMC 8 B TERM PIN - 2907998

Please be informed that the data shown in this PDF Document is generated from our Online Catalog. Please find the complete data in the user's documentation. Our General Terms of Use for Downloads are valid (<http://phoenixcontact.com/download>)

Feeder terminal adapter for TMC 8..... circuit breaker bus bars. Rated for 1000 V AC/DC, 115 A. Wire range 14...2 AWG. UL Listed for connection to UL 489 rated circuit breakers.




Product Description

Feed-in terminal adapter for TMC 8 bus bars



Key Commercial Data

Packing unit	1 pc
GTIN	 4 0 5 5 6 2 6 3 5 2 9 8 5
GTIN	4055626352985
Weight per Piece (excluding packing)	38.000 g
Country of origin	Germany

Technical data

Dimensions

Width	16.2 mm
Height	31.1 mm
Depth	85 mm

General

Rated voltage (III/3)	1000 V AC/DC
Type	Adapter

Environmental Product Compliance

REACH SVHC	Lead 7439-92-1
------------	----------------

Terminal adapter - TMC 8 B TERM PIN - 2907998

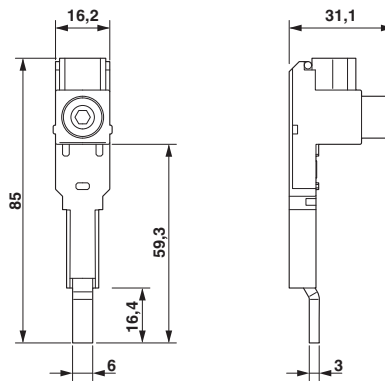
Technical data

Environmental Product Compliance

	Cadmium oxide 1306-19-0
--	-------------------------

Drawings

Dimensional drawing



Approvals

Approvals

Approvals

UL Listed / cUL Listed / cULus Listed

Ex Approvals

Approval details

UL Listed		http://database.ul.com/cgi-bin/XYV/template/LISEXT/1FRAME/index.htm	FILE E 123528
-----------	--	---	---------------

cUL Listed		http://database.ul.com/cgi-bin/XYV/template/LISEXT/1FRAME/index.htm	FILE E 123528
------------	--	---	---------------

Terminal adapter - TMC 8 B TERM PIN - 2907998

Approvals

cULus Listed

